



# GFE-AD-ISO

ma\_gfeadiso\_01\_010002\_en\_190212



Standalone Loop Isolator

MADE IN PORTUGAL - EU

## GLOBAL FIRE EQUIPMENT S.A.

Sítio dos Barrabés, Armazém Nave Y, Caixa Postal 908-Z, 8150-016 São Brás de Alportel - PORTUGAL

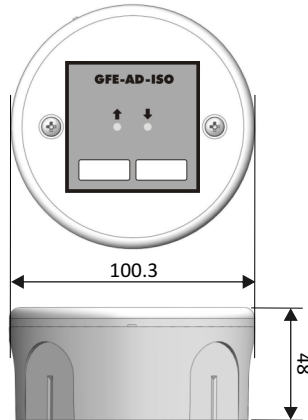
Tel: **+351 289 896 560** • Sales: [sales@globalfire.pt](mailto:sales@globalfire.pt) • Technical Support: [techs@globalfire.pt](mailto:techs@globalfire.pt) • [www.globalfire.pt](http://www.globalfire.pt)

### TECHNICAL SPECIFICATIONS

LOOP OPERATING VOLTAGE	17 V to 40 V
LOOP CURRENT - QUIESCENT	0.25 mA @ 28 V DC nominal
LOOP CURRENT - ISOLATED LED ON	6.2 mA @ 28 V DC nominal
MAXIMUM SERIES IMPEDANCE (Zcmax)	28 mOhm
MAX. LEAKAGE CURRENT (iLmax)	2.7 mA
MAX. RATED SWITCHING CURRENT (Is max)	1 A
MAX. CABLE SIZE	2.5 mm <sup>2</sup>
COLOUR / CASE MATERIAL	White / ABS - Flame Retardant rating 94V0
OPER. TEMPERATURE / MAX. HUMIDITY	-10°C to 50°C / 95% RH Non-Condensing
DIMENSIONS / WEIGHT	100.3 (D) x 48 (H) mm / 105 g - 142 g including packaging

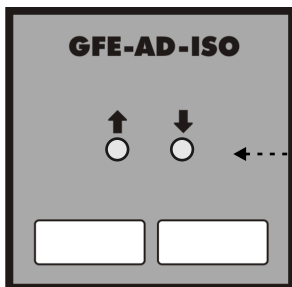
ORDER CODE	CERTIFICATE	DESCRIPTION
GFE-AD-ISO	1328-CPR-0538	STANDALONE LOOP ISOLATOR

### MECHANICAL SPECIFICATIONS



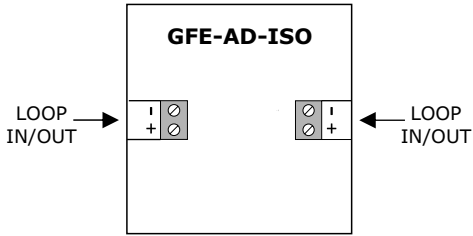
All dimensions in mm

### STATUS



Two **YELLOW LED** short-circuit indicators are provided which will assist the identification of the loop section with a short circuit.

## WIRING DIAGRAM & OPERATION



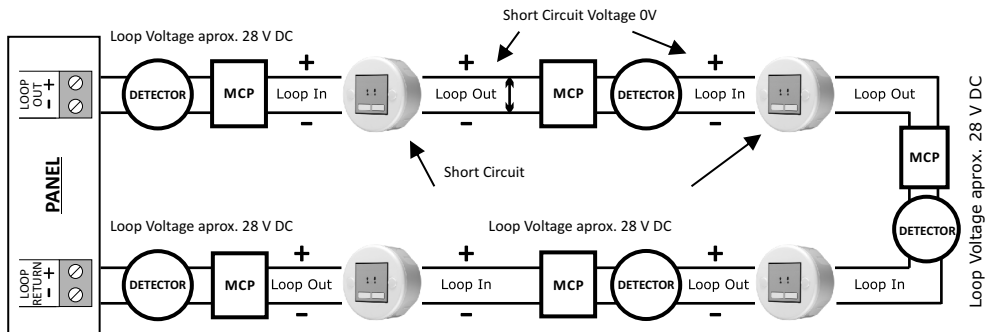
***This device is polarized.***

During the duration of the short circuit condition between 2 isolators, the loop voltage will be removed (0V) and the 2 LED indicators (Yellow), 1 on each isolator, associated with the section where the short circuit is present will be lit. Panel will report an open/short on the loop fault. Devices between 2 isolators will be removed. If panel is in ACTIVE mode (Green status LED permanently ON), there will be a number of "Device Removed" faults. The total number of these faults will depend on the number of devices that are connected between the isolators with the short circuit fault. See function 7.1 on the panel.

As soon as the short circuit condition is removed the loop voltage (28 V DC nominal) is reapplied and normal working conditions on the loop are restored. Although there is no need for the panel to be reset, in order to clear the faults the panel has to be reset.

## LOOP SCHEMATIC

Maximum no. of devices between 2 Isolators: 32 devices EN54 pt.2



## MOUNTING & COMMISSIONING

1. Secure the device to an even surface.
2. Connect according to the provided wiring diagram.
3. Use 2 x M4 screws provided to secure box lid to the module's back box.
4. Place screw covers.

It is important that the system must be fully tested after installation. In normal operating conditions, apply short circuits to the wiring at various points to confirm the correct operation of the Isolators. The LED indicator in the direction of the short circuit should be illuminated on 2 isolators. On one device it will be the "Loop in" LED on the other it will be the "Loop out" LED.

***WARNING: This device is polarity sensitive.***

## TROUBLESHOOTING

Before investigating individual units for faults it is necessary to ensure that the system wiring is fault free. Earth faults on a data loop or ancillary Zone wiring may cause communications errors. Many fault conditions in Addressable systems are the result of simple wiring errors.

**Problem**

LED illuminated constantly

**Possible Cause**

Short Circuit on Loop  
Failure to isolate a short circuit    Incorrect wiring