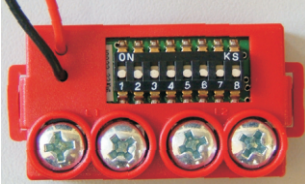


MAM

Manually Addressed Module



The MAM allows the connection and addressing of conventional detectors, call points, Micro Input, Micro Output and conventional Sounder/ Beacon.

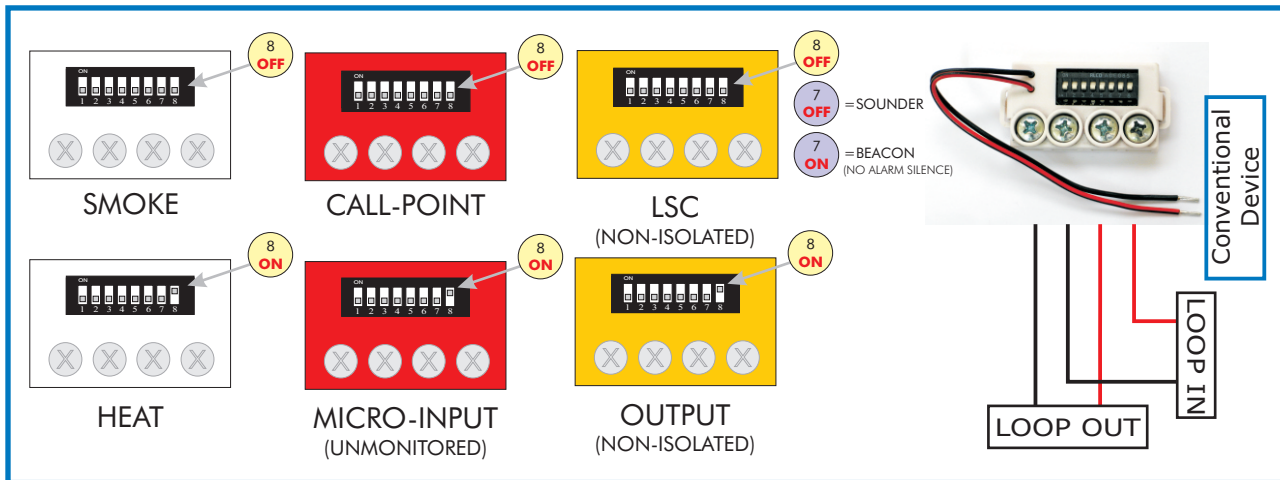
With its small physical size and convenient 8 way DIL switch for address setting and configuration, the MAM provides the facility to upgrade all the components of a conventional system to a full addressable system, ideal for retrofit installations. The MAM is fully compatible with all our standard addressable modules, addressable sounders, addressable manual call points and GFE detectors facilitating extensions to existing systems. To assist easy identification the MAM is supplied in 3 coloured plastic housings:

Red: Manual call point interface / Micro Input Module

Yellow: Micro Output Module / LOOP SOUNDER/ BEACON Controller

White: Smoke / Heat Detector interface.

Device type selection is by means of switch 8 on the DIL. Additionally the MAM-LSC can be set as a sounder or beacon driver using switch 7. In Sounder mode the output is removed when a Silence Alarm signal is received from the control panel. In Beacon mode the output remains active until the system is reset.



Technical Specifications	
Supply Voltage	Loop Powered - 17V to 30 V DC
Loop Current - Quiescent	1.1 mA
Loop Current - Alarm	12 mA
Address Range	1-125 (Detectors, MCP, I/O) 94-125 (Sounder/ Beacons)
Protection Category	IP44
Max. Cable Size	2.5 mm ²
Max. Humidity	95% RH Non-Condensing
Operating Temperature	0 °C to 40 °C
Dimensions	48 (L) x 24 (W) x 12 (H) mm
Weight	18 g
Order Code	
MAM-WHITE	Manually Addressed Module for SMOKE or HEAT Detector
MAM-RED	Manually Addressed Module for CALL POINT or INPUT
MAM-YELLOW	Manually Addressed Module for LSC or OUTPUT

Global Fire Equipment S.A.

MARF - Armazens F3 e F4, Sítio do Guelhim, Estoi, 8009-021 FARO, PORTUGAL

Tel: + 351 289 896 560 Fax: + 351 289 865 587



Sales sales@globalfire.pt **Technical Support** techs@globalfire.pt