



# Valkyrie Vox A

ma\_valkyrievox\_a\_010001\_en\_190102

Addressable Voice Sounder/Beacon

MADE IN PORTUGAL - EU

## GLOBAL FIRE EQUIPMENT S.A.

Sítio dos Barrabés, Armazém Nave Y, Caixa Postal 908-Z, 8150-016 São Brás de Alportel - PORTUGAL

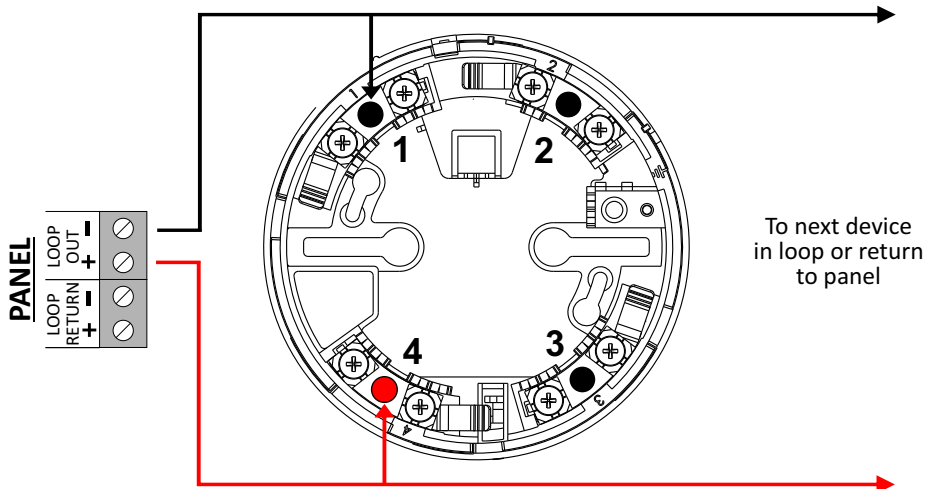
Tel: +351 289 896 560 • Sales: sales@globalfire.pt • Technical Support: techs@globalfire.pt • www.globalfire.pt

### TECHNICAL SPECIFICATIONS

SUPPLY VOLTAGE	Loop: 20 V to 30 V DC
LOOP CURRENT	0.7 mA (Quiescent) - 7.5 mA Max. (sounder active or charging)
LOOP CURRENT - ALARM BEACON	1,4 mA
SOUND OUTPUT @ 1 METER	Tone 104 dBA - Voice Message 107 dBA
MAX. CABLE SIZE	2.5 mm <sup>2</sup>
MAX. HUMIDITY	95% RH Non-Condensing
OPERATING TEMPERATURE	-10°C to 50°C
COLOUR / CASE MATERIAL	Red or White / ABS & PC
PROTECTION CATEGORY	IP21C - Type A - Indoor Use
DIMENSIONS	109.5 (D) x 85.1 (H) mm
WEIGHT	270 g - 325 g including packaging

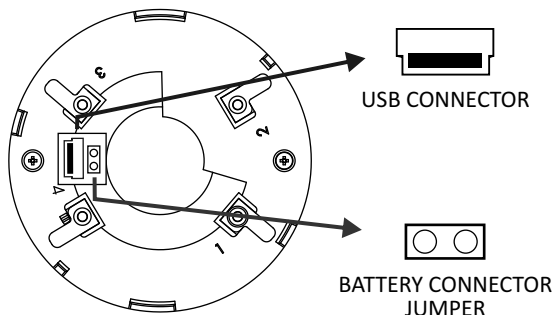
ORDER CODE	DESCRIPTION
VALKYRIE VOX-A	ADDRESSABLE VOICE SOUNDER
VALKYRIE VOX-AB	ADDRESSABLE VOICE SOUNDER WITH BEACON

### SOUNDER BASE - LOOP & EXT. SUPPLY CONNECTIONS



**NOTE:** Address programmed on switches 1-5 has an OFFSET of 94. For example if D.I.L. switches 1-5 are all set to OFF the actual sounder address, as read by the panel, will be 94.

## USER CONNECTOR



Use USB connector in conjunction with GFE's Vox Loader PC Software to program new tones and voice messages.

Software can be downloaded from our website [www.globafire.pt](http://www.globafire.pt)

**NOTE:** REMOVE THE BATTERY CONNECTOR JUMPER IF THE SOUNDER IS NOT SUPPLIED WITH POWER

## BATTERY DIAGNOSTICS

**Both JUNO-NET and JUNIOR Panel will show the battery state on the Device Value menu.**

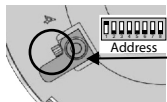
**Analog Value OK:**

27 to 35 - Battery Voltage Value (2,7 V to 3,5 V)

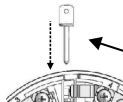
**Analog Value indicating Battery FAIL:**

- 6 - Battery Low (Keep the device connected to charge)
- 7 - Battery Damaged (No Jumper, or permanently damaged)
- 8 - Battery Error (Under 2,5 V - Keep the device connected to charge)

## BASE LOCK



To lock sounder remove pin available at terminal 4 on the underside of the sounder using a small screwdriver.



To unlock sounder from its base push provided unlock key through hole available on the base side wall as shown.

## D.I.L. SWITCHES CONFIGURATION

<p>ON (1)  OFF (0) </p>	<p><b>Switches 1-5</b> Used to configure address in the range 94-125</p> <p><b>Switch 6</b> Not used</p>	<p><b>Switch 7</b> Beacon Stop only on Panel Reset: ON Beacon Stop on Alarm Silence: OFF</p> <p><b>Switch 8</b> Normal: ON / Shadow: OFF</p>	<p><b>Address Switches</b> 1 ON = 1 2 ON = 2 3 ON = 4 4 ON = 8 5 ON = 16</p>
-------------------------	--	--	--

## SOUNDER/BEACON ADDRESS SETTINGS

Sounder 1  94	Sounder 2  95	Sounder 3  96	Sounder 4  97	Sounder 5  98	Sounder 6  99	Sounder 7  100	Sounder 8  101
Sounder 9  102	Sounder 10  103	Sounder 11  104	Sounder 12  105	Sounder 13  106	Sounder 14  107	Sounder 15  108	Sounder 16  109
Sounder 17  110	Sounder 18  111	Sounder 19  112	Sounder 20  113	Sounder 21  114	Sounder 22  115	Sounder 23  116	Sounder 24  117
Sounder 25  118	Sounder 26  119	Sounder 27  120	Sounder 28  121	Sounder 29  122	Sounder 30  123	Sounder 31  124	Sounder 32  125