

# ViLX-TMS3-W-8

## Touch-Screen Master Station

All Lexicomm Emergency Voice Communications Systems (EVCS) are designed to comply fully with the requirements of BS 5839-9:2021 for use as a fire telephone system (FT), disabled refuge system (DRS) or as a combined system when both fire telephones and disabled refuge call points are required.

**CE UK CA**  
BS5839-9:2021



## Overview

An EVCS is a fixed, secure, bi-directional, full duplex voice communication system. It can provide disabled refuge system functions and a fire telephone system where required. The Lexicomm Network system is suitable for small to medium installation but is particularly suited to large multistorey and campus sites due to its superior network capability.

### System Architecture

The range consists of a touchscreen master station, touchscreen repeater and system expander panels. These panels are connected via a dedicated secure network of up to 64 panels. Each master station or expander panel can have eight radial lines wired from it, this gives a system capacity of 512 lines.

### Touchscreen Interface

Control and indication functions utilise a 4.3" colour touchscreen, this intuitive user interface makes use of icons wherever possible, which simplifies the user experience. Extensive logging of all functions can be accessed via the screen, this information is stored on the micro SD card and can be analysed in a daily spreadsheet format.

### Outstation Range

The full range of Lexicomm outstations are compatible and include Type A outstations, Type B outstations, and Type C outstations. Lines auto identify by flashing red for EVCS calls, or flashing green for connected calls as detailed in BS 5839-9:2021.

## Features

- 4.3" Full colour touchscreen
- Fully compliant to BS 5839-9:2021
- Full duplex operation
- Alarm icon choice
- Expandable from 2 to 512 lines
- Dual redundant fault tolerant network
- Peer-to-peer network
- Pager serial output port

### Alarm Icon Configuration

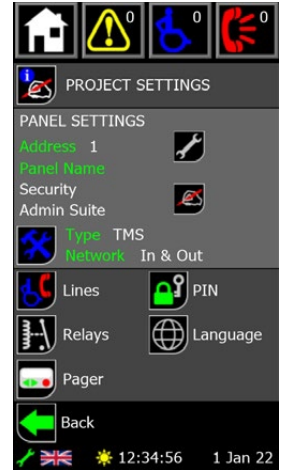
Icons used for alarm purposes can be altered for alternative uses, examples are: pool alarm, panic alarm, medicine cabinet alarm and fire door monitoring.

### Larger Sites

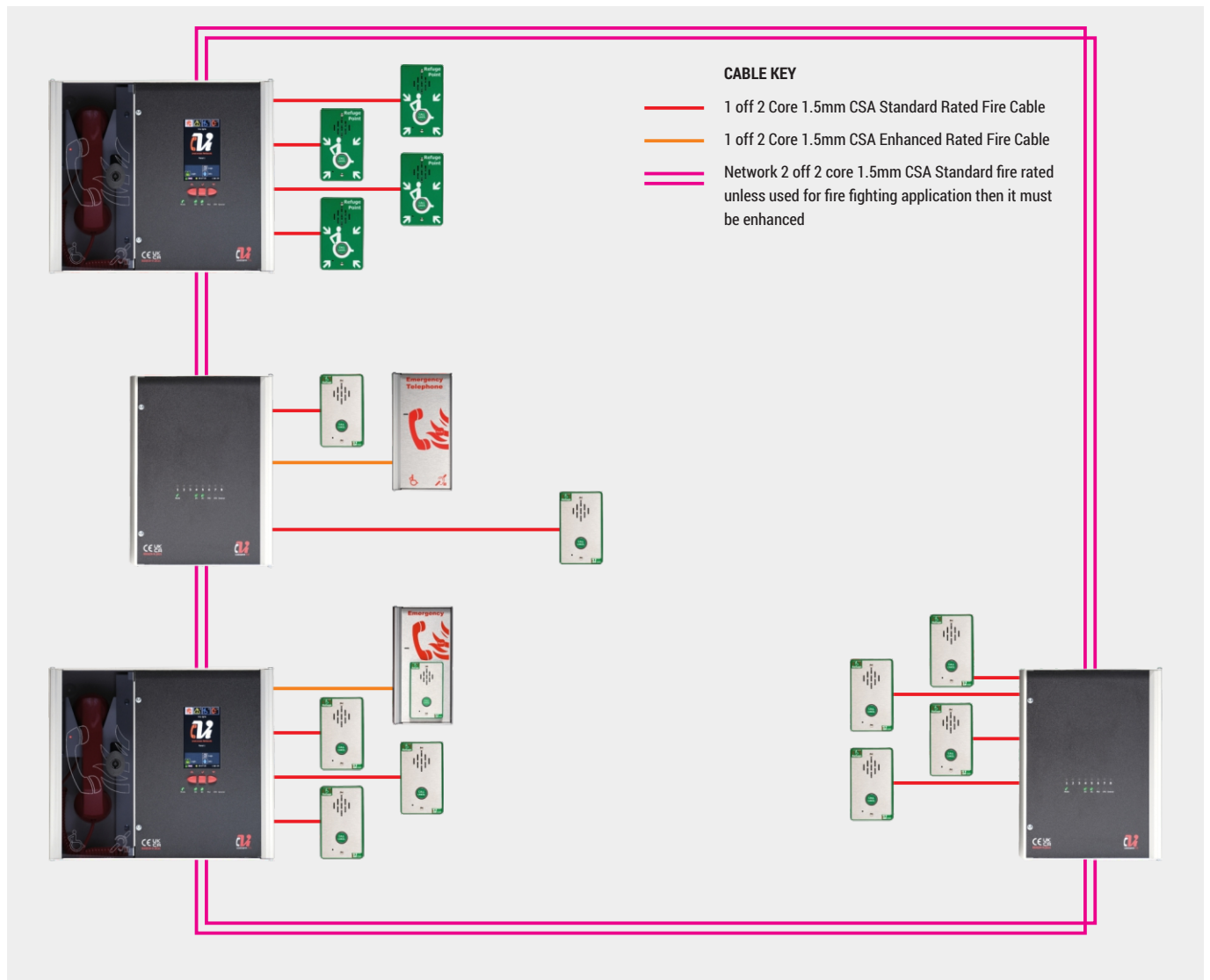
The Lexicomm Network system is particularly well suited for larger projects as it can accommodate multiple master station positions where alternative points of control are required. The Lexicomm Network system can be easily extended by simply adding a system expander panel where the additional lines are required.

### Configuration

The touchscreen display allows for extensive configuration menus. An engineer can configure VA and EVC functions from a single panel through to a multi-panel network all from one position without the need for a PC, all configuration being held on a micro SD card.



## ViLX-TMS3-W-8 Schematic



## Technical Specifications

Feature Description	Specification
<b>Power Supply and Charger</b>	
AC Input	120-240VAC+10%-15% 50/60Hz
Internal supply	5V, 16V, 27V DC
Supply and battery	Monitored Open, Short, Fuses, High Impedance
Protection	Deep discharge, Short, Thermals
Battery type	1 × 12V 7AH VRSLA
Mains fuse	240V 1A HRC
Battery fuse	750mA PTC
Max charge	current 500mA
<b>Inputs</b>	
Lines	2-8 in 2 line blocks
Remote enable	Short to use
End of line	10kΩ
<b>Outstation Cables</b>	
Type	Cores Distance from Master Station
Standard*/Enhanced	1 × 2 core radial 1mm or 1.5mm 500m
<b>Outputs</b>	
Number	2, Fault & In use
Fault Relay	1 × Volt free NC, Com 30V DC 1A
In Use Relay	1 × Volt free NO, Com 30V DC 1A
<b>Controls</b>	
Navigation Buttons	3 push button navigation keys
Fault indicators	AC, DC, PSU Status
Statutory indicators	CPU fault indicator
	General fault indicator
	RGB mode indicator
	AC DC Present
Touchscreen	4.7" RGB touchscreen

Feature Description	Specification		
<b>Network Cables</b>			
Type	Cores Distance max between panels		
Standard/Enhanced	2×2 core loops, 1mm or 1.5mm (2c Data, 2c Audio) 500m		
<b>Standards Compliance</b>			
EMC	EN 55035:2017+A11:2020 EN 55032:2015+A1:2020		
LVD	EN IEC62368-1:2020+A11:2020		
Product Family	BS 5839-9:2021, BS 9999:2017, BS 8300-2:2018		
<b>Dimensions</b>			
	Panel	Bezel	Cut-out
Height	300mm	350mm	305mm
Width	350mm	400mm	355mm
Depth	95mm	1mm	85mm
Weight	4.5kg		

## Ordering Information

Order Code	Part No.	Description
ViLX-TMS3-W-8	ViLX-TMS3-W-8	Touch Screen Master Station

### Cape Town Head Office

 Corner of Mercury Crescent & Venus Way,  
 Wetton, Cape Town, South Africa

+27 (0)21 761 3980



zyteqfire.com

info@zyteqfire.com | orders@zyteqfire.com

### Johannesburg Branch

 Unit 19A, Inospace, Allandale Exchange  
 Morkels Crescent, Midrand, South Africa

+27 (0)10 880 0951

DOC-ZF021-00001